



Valve Technology

**Walter Schumacher
Impuls-Technik GmbH**

Reessweg 7

D-74626 Bretzfeld - Bitzfeld

series 200 - 203

phone +49 (0) 79 46 – 91 30 - 0
fax +49 (0) 79 46 – 91 30 - 10
email info@sit-ventile.de
internet www.sit-ventile.de



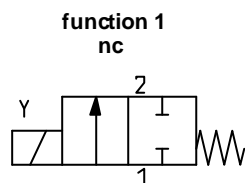
tax ID DE 166 067 040

suitable for all neutral gases and liquids up to 21mm/s viscosity max.

- threads process connection M5 – G1/8
- nominal width 0,5 – 2 mm
- pressure range 0 – 30 bar
- pressure difference optional
- protection class IP00 (with plug-In sockets IP65 EN 60529)


technical data

material	valve body	brass 1.4305 (V2A) 1.4571 (V4A)
material	inner parts	1.4104/1.4305
sealing material	static	FPM (Viton)
	dynamic	FPM (Viton)
fitting position	as specified by customer (ideally vertical)	
operating cycles	240/min. (air)	


electrical data

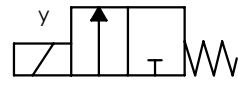
input supply voltage	24 V DC 230 V 50/60 Hz
Power consumption	DC 4,5 Watt AC (in rush) 8 VA (holding) 5,5 VA
electr. connection	tags 2-pin + ground IP 00
connection by plug-In socket	IP 65
thermal class E	(90°) as per VDE580
on-time	100% duty ratio
perm. volt. fluctuation	± 10%
perm. frequency fluct.	± 5%

performance

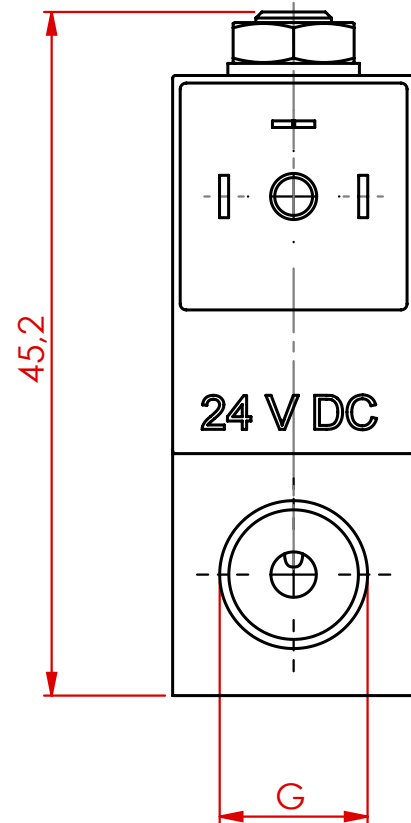
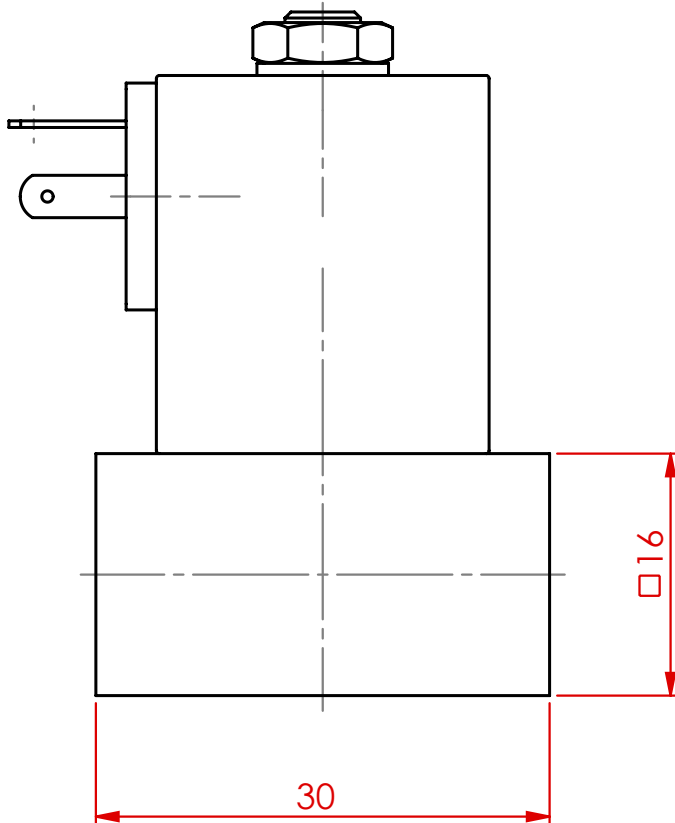
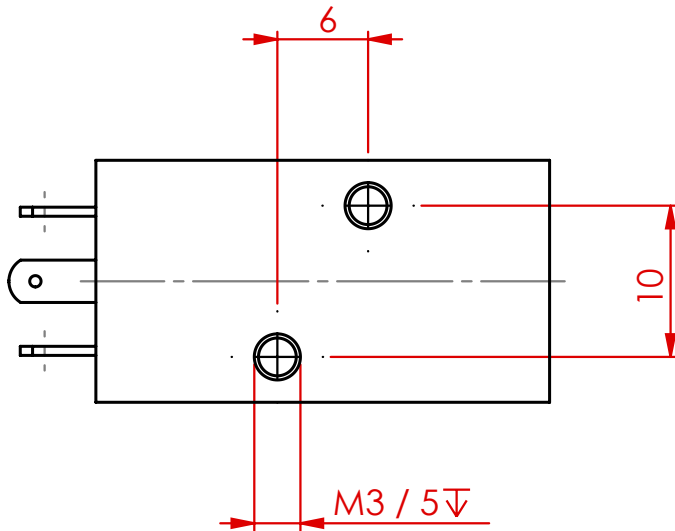
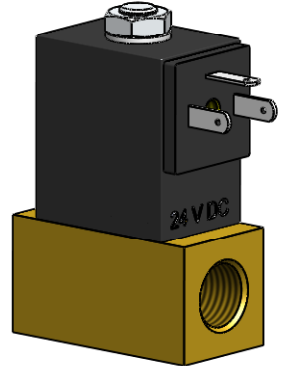
nominal width	KV-factor water m ³ /h	Q/Nn-factor air l/min	pressure max. bar
mm			
0,5	0,011	16	30
0,8	0,018	21	15
1,0	0,036	38	9
1,2	0,061	85	7
1,6	0,085	105	2,5
2,0	0,144	148	1,5

series 203: 2 until 12 valves of series 201 on the valve bank on request

2/2 way valve



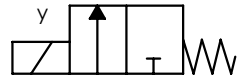
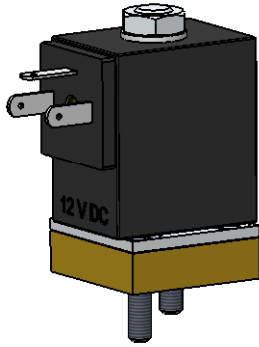
function 1 (nc)



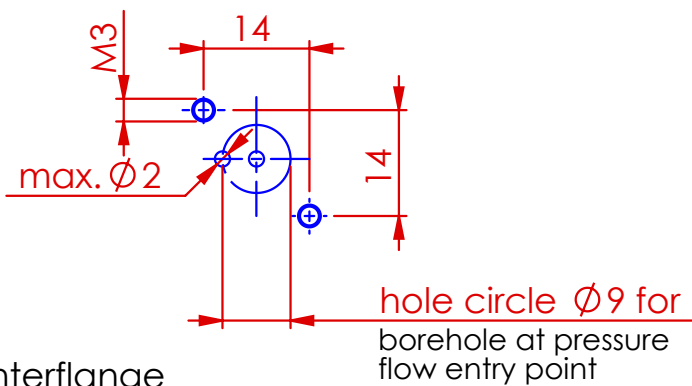
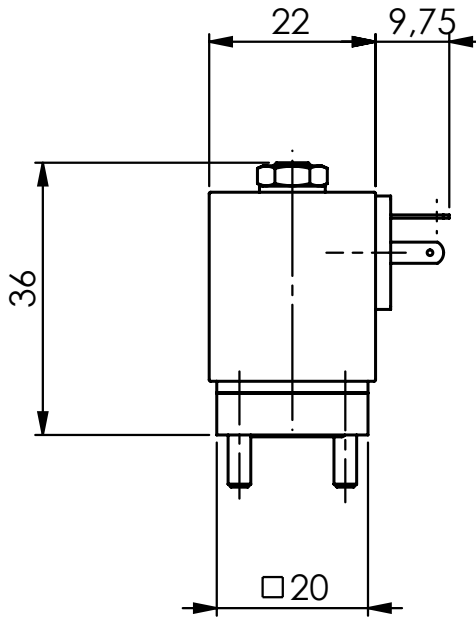
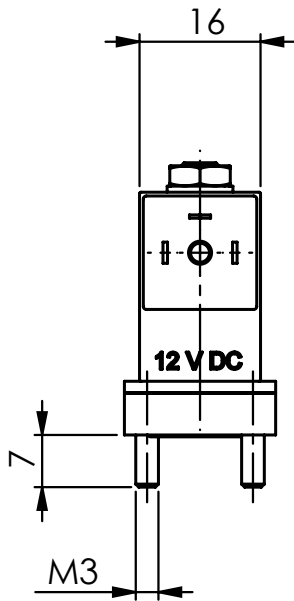
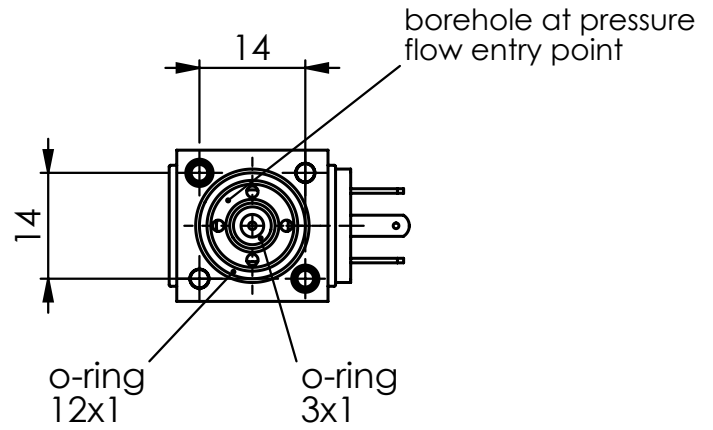
process connection G : M5 - G1/8

we can deliver customized valve bodies with integrated pipe connections, conical thread, metric thread as well as connections to your specific requirements

2/2 way valve

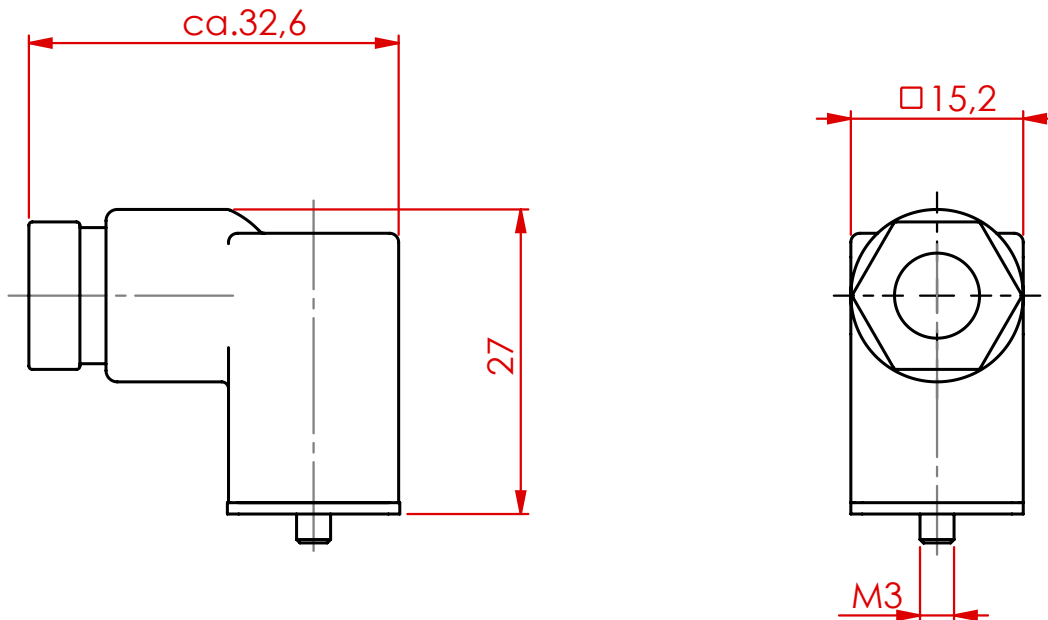


function 1 (nc)

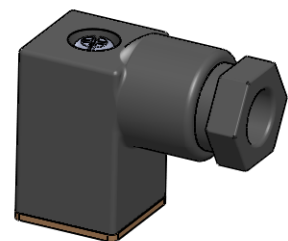


counterflange

Plug-In Sockets



Number of poles	2 + ground
Nominal voltage AC/DC	230 V/300 V
Nominal current	10 A
operating current	6 A
transient resistance	< 4mΩ
Wire cross-section	0,75 mm ²
Supressor circuit	none
Casing	Polyamide
Cable screw connection	PG 7
Cable diameter	max. 6,5 mm
Protection	IP 65 to EN 60529 (befor DIN 40050)
Insulation	group C to VDE 110
Colour	black
Ambient temperature	- 10°C / + 60°C



Part ID: 000.12.00002 AC / DC
000.12.00003 with LED f. 24 V DC

Without cable

product query

valve type

- 2/2 way valve directly controlled 2/2 way valve externally controlled
- 3/2 way valve directly controlled 3/2 way valve externally controlled
- NC NO alternate function 2 x pressure entry 1 x outlet

medium :

pressure range

bar : psi : delta p :

Viskosität

mm²/s : ° Engler : others :

flow rate

m³/h : l/min : others :

temperature

medium : ambiance :

material

casing : sealing :

process connection

threads connection : flange : others :

input supply voltage

AC : DC :

explosion-proof

no yes protection class :

amount :

delivery time :

special requirements :

title* :
forename* :
surname* :
company* :
street* :
zip code* :
town / city* :
country* :
email* :
phone :
fax :

comments :

send tofax: **0049 (0) 7946 91 30 10**

print