

SIT

Valve Technology

**Walter Schumacher
Impuls-Technik GmbH**

Reessweg 7

D-74626 Bretzfeld - Bitzfeld

series 240 - 243

phone +49 (0) 79 46 – 91 30 - 0
fax +49 (0) 79 46 – 91 30 - 10
email info@sit-ventile.de
internet www.sit-ventile.de



tax ID DE 166 067 040

suitable for all neutral gases and liquids up to 21mm/s viscosity max.

threads process connection G1/8 – G1/2

nominal width 0,8 – 8 mm

pressure range 0 – 70 bar

pressure difference optional

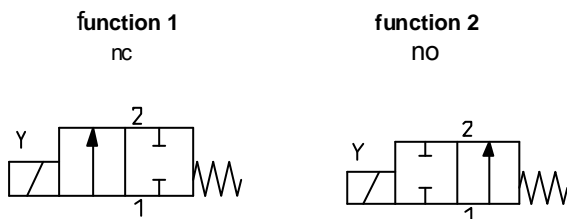
protection class IP00 (with plug-In sockets IP65 EN 60529)

solenoid coil as per DIN EN 173301-803 (prev. DIN 43 650)



technical data

material	valve body	brass 1.4305 (V2A) 1.4571 (V4A)
material	inert parts	1.4104/1.4305
sealing material	static	FPM (Viton)
	dynamic	FPM (Viton)
fitting position	as specified by customer (ideally vertical)	
operating cycles	240/min. (air)	

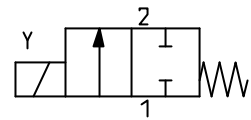


mechanical position indication on request

elektrical data

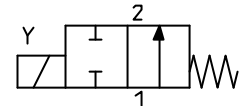
input supply voltage	24 V DC 230 V 50/60 Hz
power consumption	DC 25 Watt AC (in rush) 35 VA (holding) 27 VA
electr. connection	tags 2-pin + grounding IP 00
connection by plug-In socket	IP 65
thermal class H	(180°) as per VDE580
on-time	100% duty ratio
perm. volt. fluctuation	± 10%
perm. frequency fluct.	± 5%

function 1 (nc)



nominal width mm	KV-factor water m ³ /h	Q/Nn-factor air l/min	pressure max. bar
0,8	0,025	21	70
1,0	0,034	38	70
1,5	0,065	102	70
2,0	0,108	135	70
3,0	0,200	225	55
4,0	0,295	335	35
5,0	0,532	590	15
6,0 *	0,655	750	8
8,0	0,870	900	2

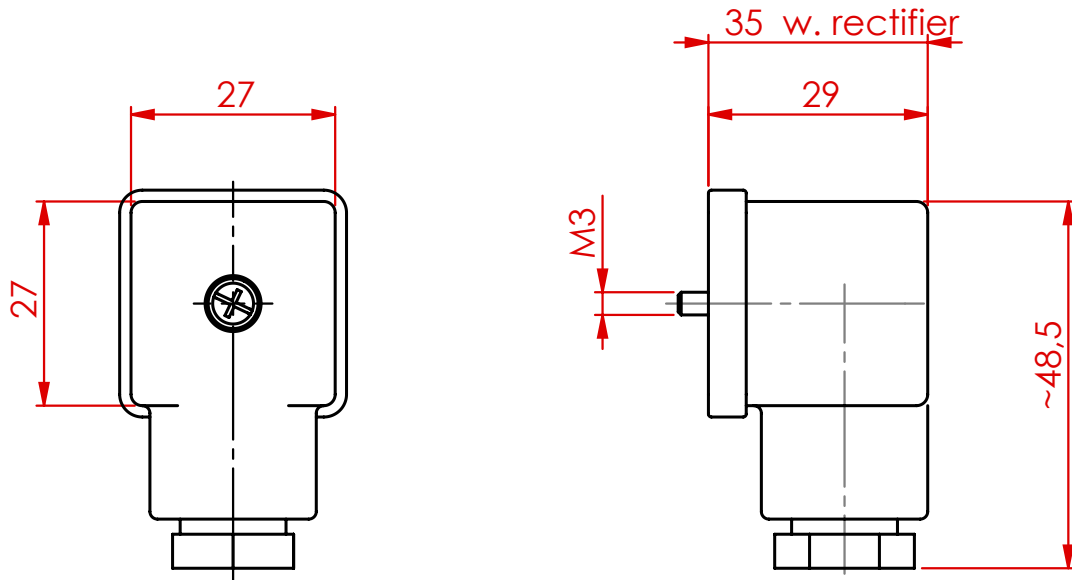
function 2 (no)



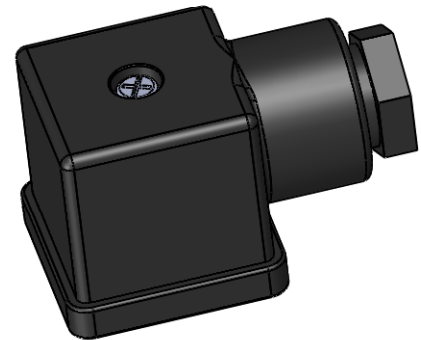
nominal width mm	KV-factor water m ³ /h	Q/Nn-factor air l/min	pressure max. bar
0,8	0,025	21	70
1,0	0,034	38	70
1,5	0,065	102	70
2,0	0,108	135	70
3,0	0,200	225	50
4,0	0,295	335	30
5,0	0,532	590	12
6,0 *	0,655	750	6
8,0	0,870	900	1,5

* max. nominal width of series 241 and 243

Plug-In Sockets



Number of poles	2 + ground
Nominal voltage AC/DC	250 V/300 V
Nominal current	16 A
operating current	6 A
transient resistance	< 4mΩ
Wire cross-section	1,5 mm ²
Supressor circuit	none
Casing	Polyamide
Cable screw connection	M 16x1,5
Cable diameter	4,5 - 7 mm
Protection	IP 65 to EN 60529 (befor DIN 40050)
Insulation	group C to VDE 110
Colour	black
Ambient temperature	- 10°C / + 60°C



part ID: 000.12.00021 f. AC with integrated rectifier
000.12.00022 AC/DC
000.12.00027 with LED f. 24 V DC

Without cable

product query

valve type

- 2/2 way valve directly controlled 2/2 way valve externally controlled
 3/2 way valve directly controlled 3/2 way valve externally controlled
 NC NO alternate function 2 x pressure entry 1 x outlet

medium :

pressure range

bar : psi : delta p :

Viskosität

mm²/s : ° Engler : others :

flow rate

m³/h : l/min : others :

temperature

medium : ambiance :

material

casing : sealing :

process connection

threads connection : flange : others :

input supply voltage

AC : DC :

explosion-proof

no yes protection class :

amount :

delivery time :

special requirements :

title* :
forename* :
surname* :
company* :
street* :
zip code* :
town / city* :
country* :
email* :
phone :
fax :

comments :

send tofax: **0049 (0) 7946 91 30 10**

print