



Valve Technology

**Walter Schumacher
Impuls-Technik GmbH**

Reessweg 7

D-74626 Bretzfeld - Bitzfeld

series 245 - 247

phone +49 (0) 79 46 – 91 30 - 0
fax +49 (0) 79 46 – 91 30 - 10
email info@sit-ventile.de
internet www.sit-ventile.de



tax ID DE 166 067 040

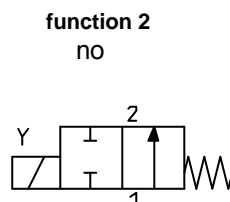
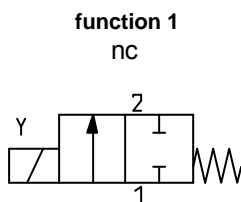
suitable for all neutral gases and liquids up to 21mm/s viscosity max.

threads process connection G1/8 – G3/8 / flange
 nominal width 0.5 – 2.5 mm
 pressure range 0 – 500 bar
 pressure difference optional
 protection class IP00 (with plug-In sockets IP65 EN 60529)
 solenoid coil as per DIN EN 173301-803 (prev. DIN 43 650)



technical data

material	valve body	1.4305 (V2A) 1.4571 (V4A)
material	inner parts	1.4104 / 1.4305
sealing material	static	FPM (Viton)
	dynamic	Torlon
fitting position	as specified by customer (ideally vertical)	
operating cycles	240/min. (air)	



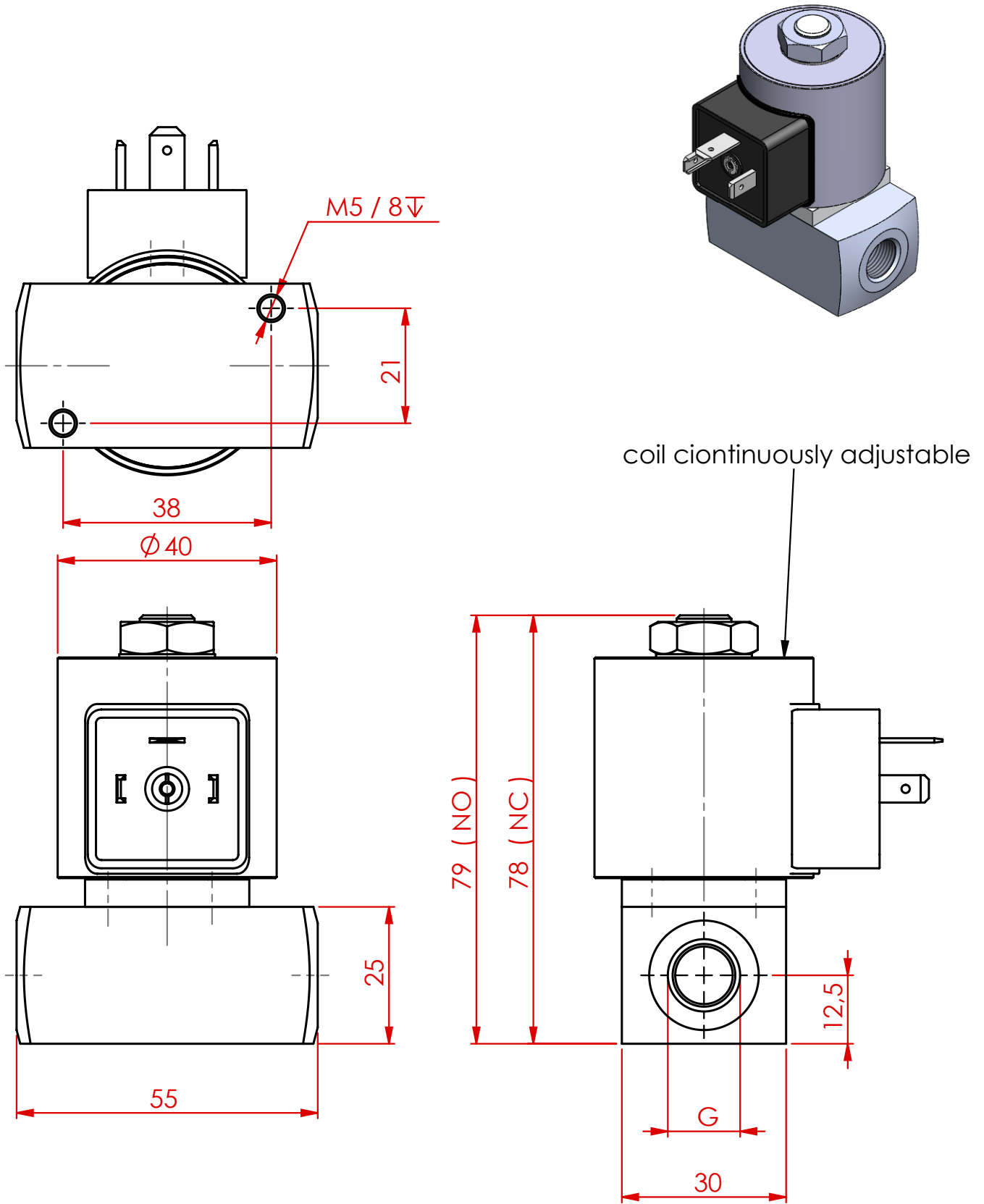
electrical data

input supply voltage	24 V DC 230 V 50/60 Hz
another input supply voltage on request	
power consumption	DC 25 Watt
electr. connection	tags 2-pin + grounding IP 00
connection by plug-in socket	IP 65
input supply voltage 230 V 50/60 Hz only with apparatus plug with integrated rectifier	
thermal class H	(180°) as per VDE580
on-time	100% duty ratio
perm. volt. fluctuation	± 10%
perm. frequency fluct.	± 5%

Performance nc / no (directly controlled)

nominal width	KV factor	Q/Nn factor	pressure
mm	water m ³ /h	air l/min	max. bar
0.5	0.013	18	500
0.8	0.018	21	450
1.0	0.036	38	320
1.2	0.052	61	250
1.6	0.085	105	180
2.0	0.117	135	160

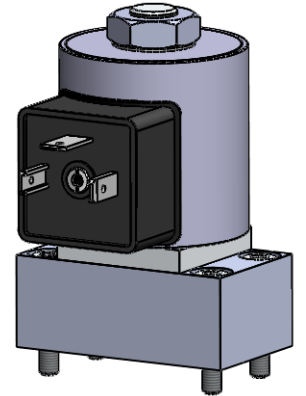
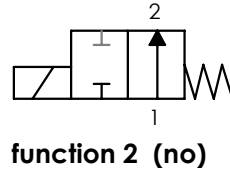
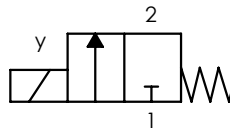
2/2 way valve



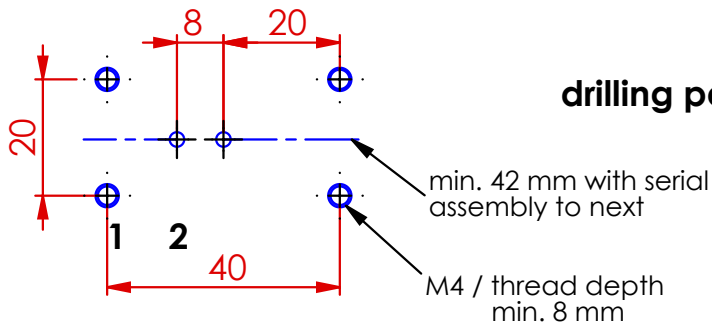
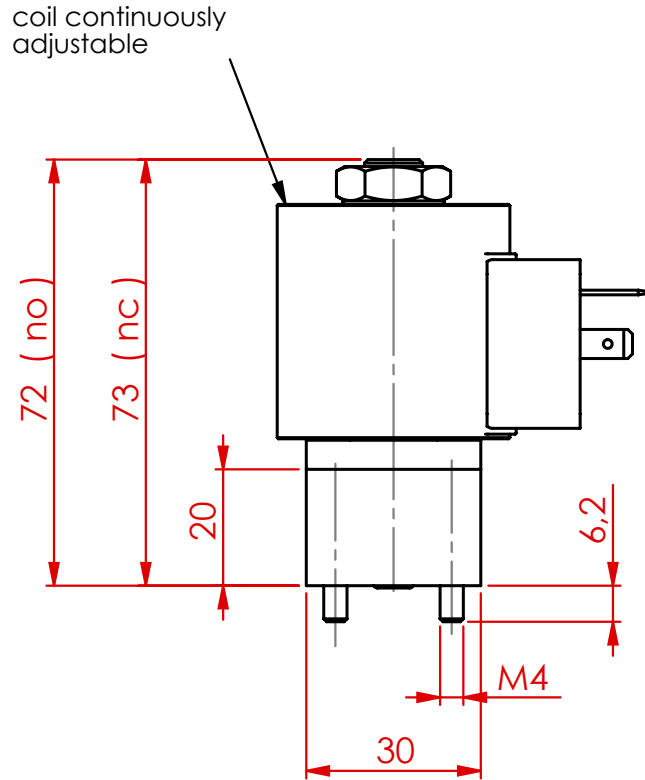
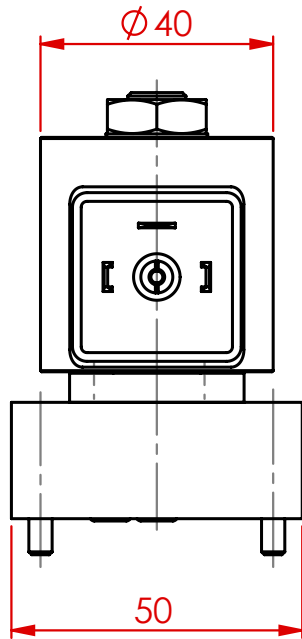
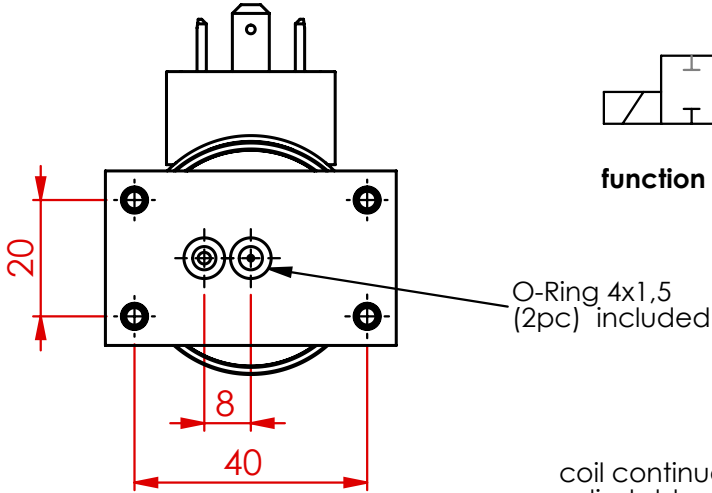
process connection G G1/8 - G3/8

We can deliver customized valve bodies with integrated pipe connections, conical thread, metrical thread as well as connections to your specific requirement.

2/2 way valve



hexagon socket head cap screw
M4x22 DIN 912 (4pc.) as well as
lock washers included

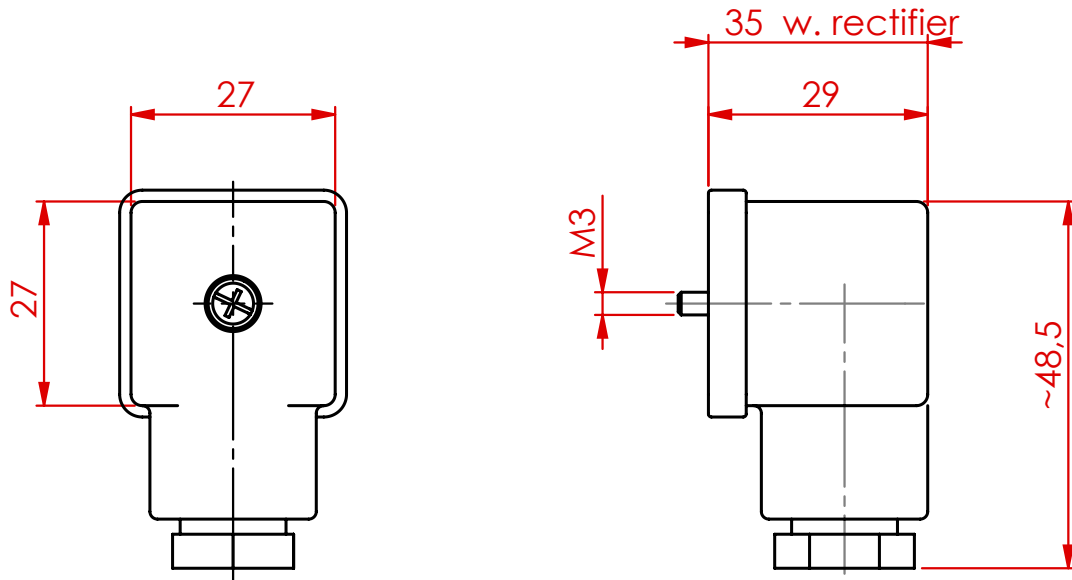


drilling pattern counterflange

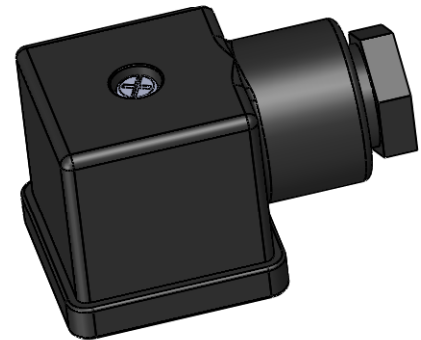
1 = pressure port
2 = control line

quality of surface
finish ensures
sealing with o-ring

Plug-In Sockets



Number of poles	2 + ground
Nominal voltage AC/DC	250 V/300 V
Nominal current	16 A
operating current	6 A
transient resistance	< 4mΩ
Wire cross-section	1,5 mm ²
Supressor circuit	none
Casing	Polyamide
Cable screw connection	M 16x1,5
Cable diameter	4,5 - 7 mm
Protection	IP 65 to EN 60529 (befor DIN 40050)
Insulation	group C to VDE 110
Colour	black
Ambient temperature	- 10°C / + 60°C



part ID: 000.12.00021 f. AC with integrated rectifier
000.12.00022 AC/DC
000.12.00027 with LED f. 24 V DC

Without cable

product query

valve type

2/2 way valve directly controlled

2/2 way valve externally controlled

3/2 way valve directly controlled

3/2 way valve externally controlled

NC

NO

alternate function

2 x pressure entry 1 x outlet

medium :

pressure range

bar :

psi :

delta p :

Viskosität

mm²/s :

° Engler :

others :

flow rate

m³/h :

l/min :

others :

temperature

medium :

ambiance :

material

casing :

sealing :

process connection

threads connection :

flange :

others :

input supply voltage

AC :

DC :

explosion-proof

no

yes

protection class :

amount :

delivery time :

special requirements :

title* :

forename* :

surname* :

company* :

street* :

zip code* :

town / city* :

country* :

email* :

phone :

fax :

comments :

send tofax: **0049 (0) 7946 91 30 10**

print